

Fig-3

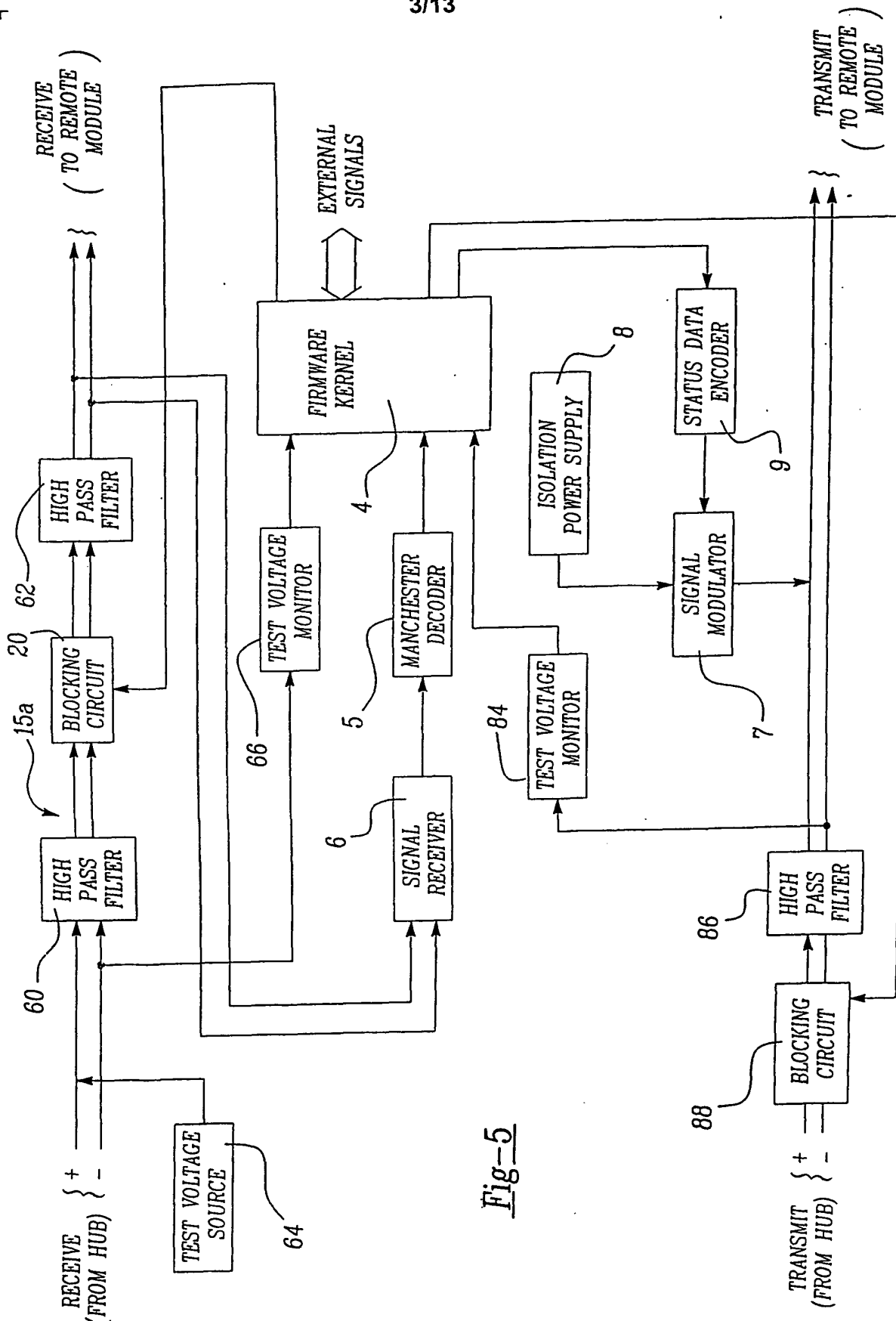


Fig-5

RECEIVE (TO REMOTE MODULE)

TRANSMIT (FROM HUB)

TRANSMIT (TO REMOTE MODULE)

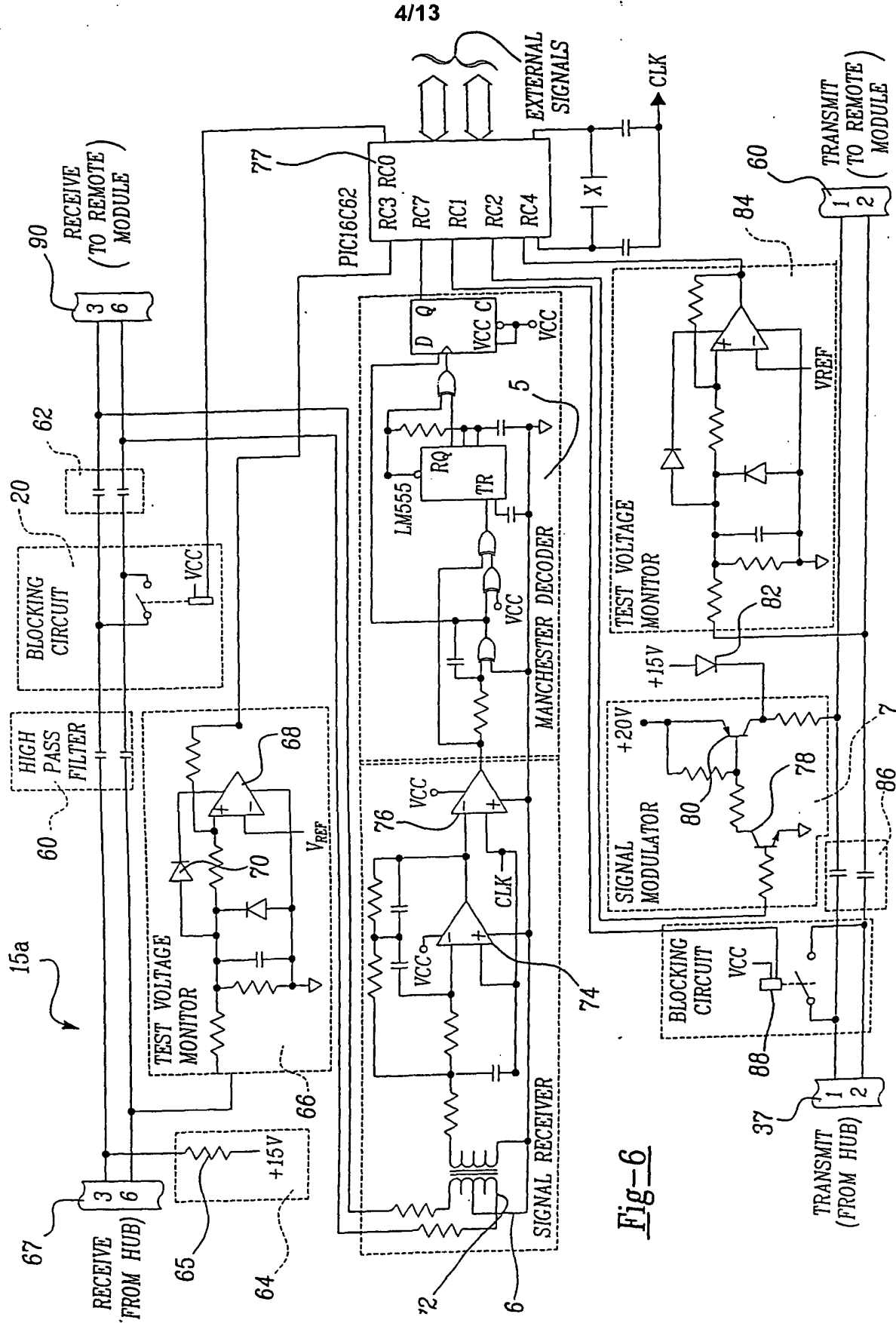


Fig-6

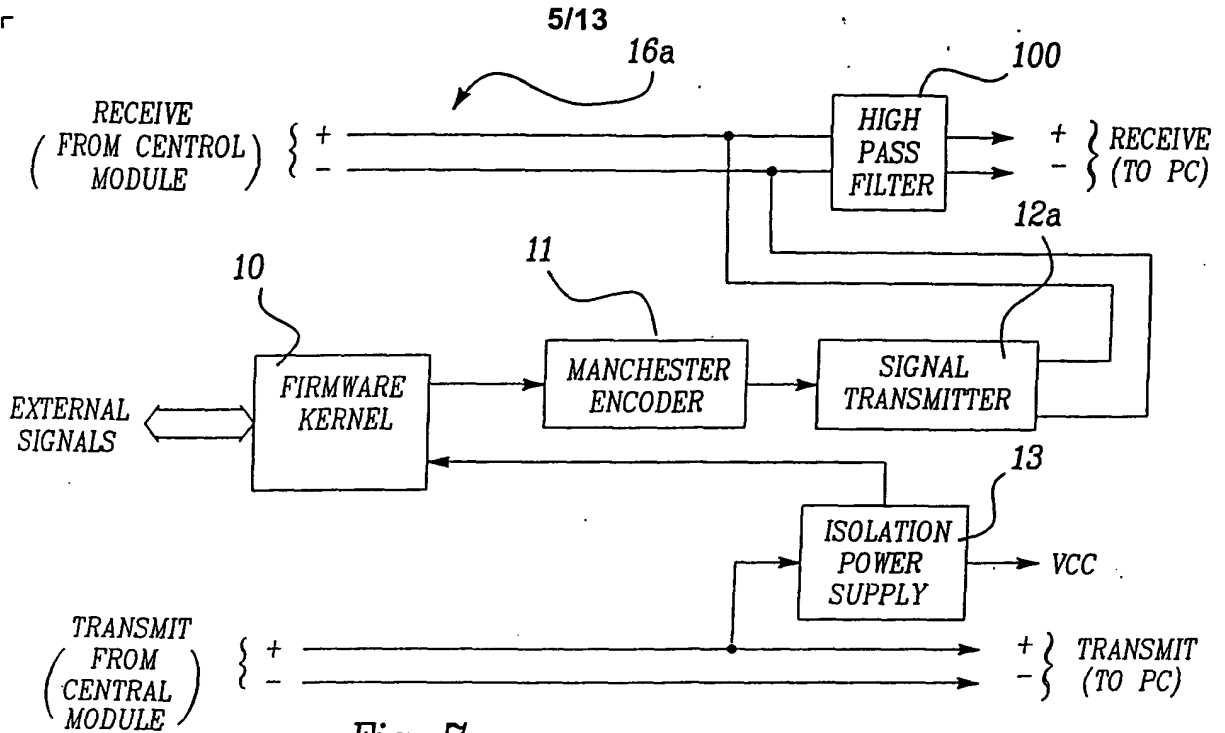


Fig-7

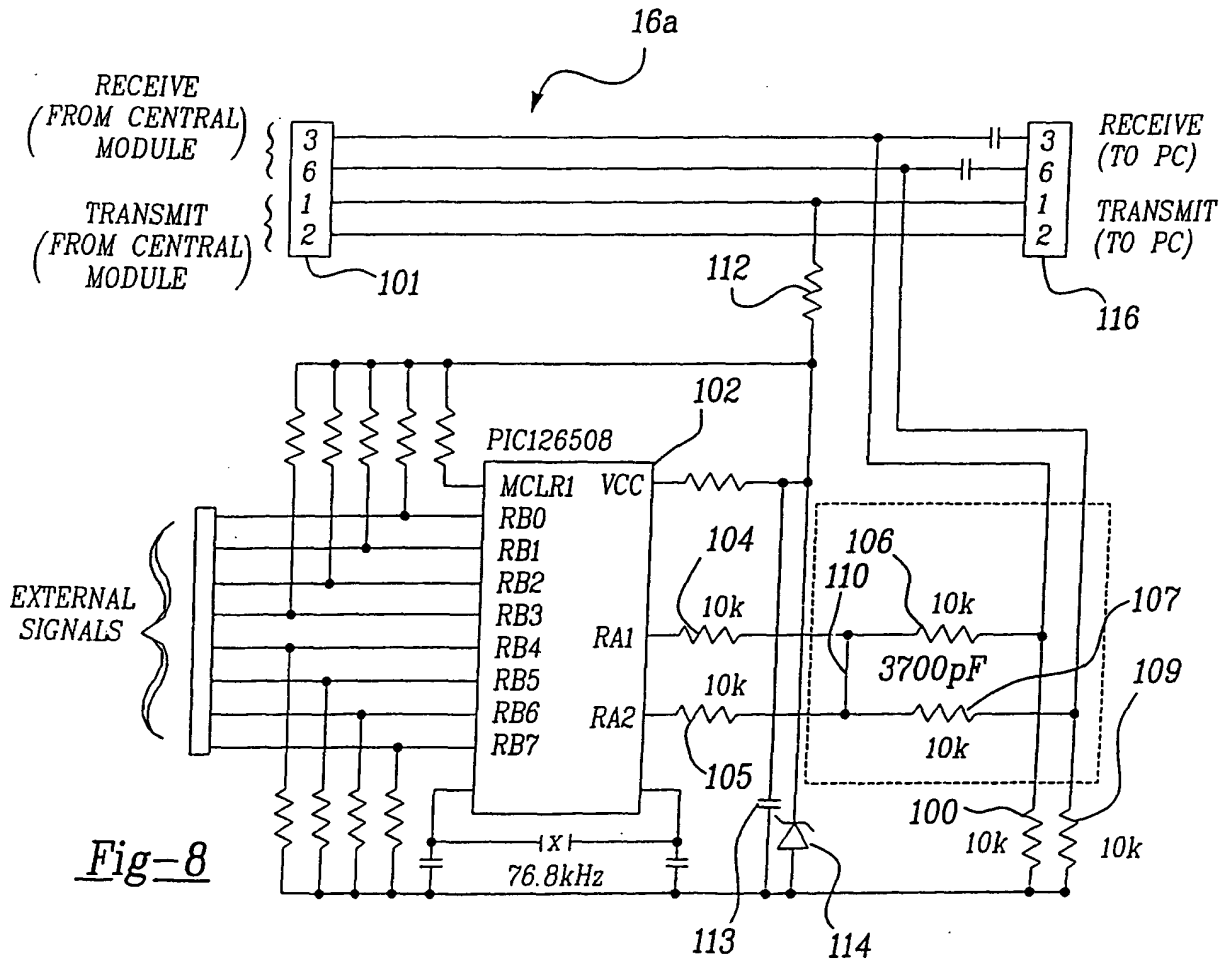
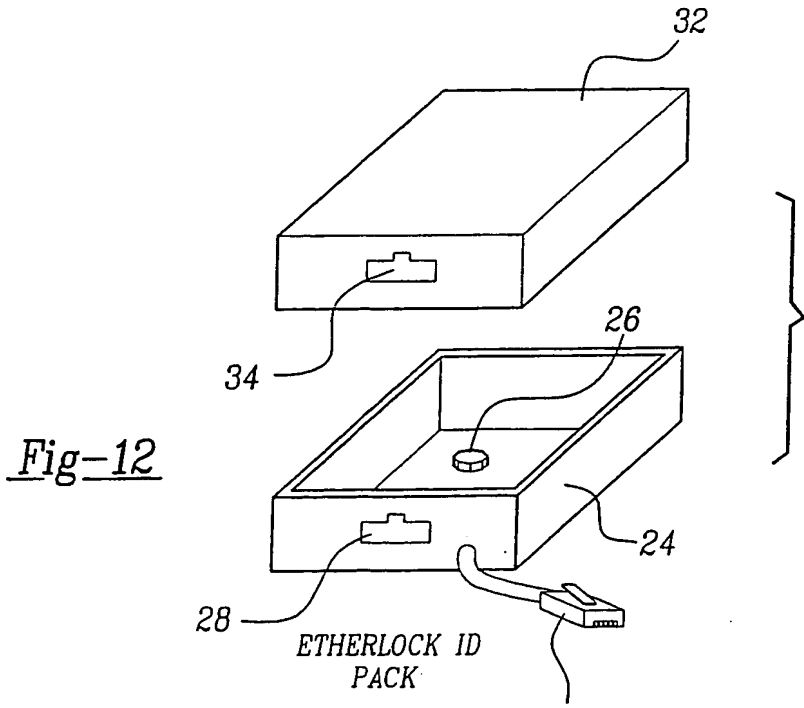
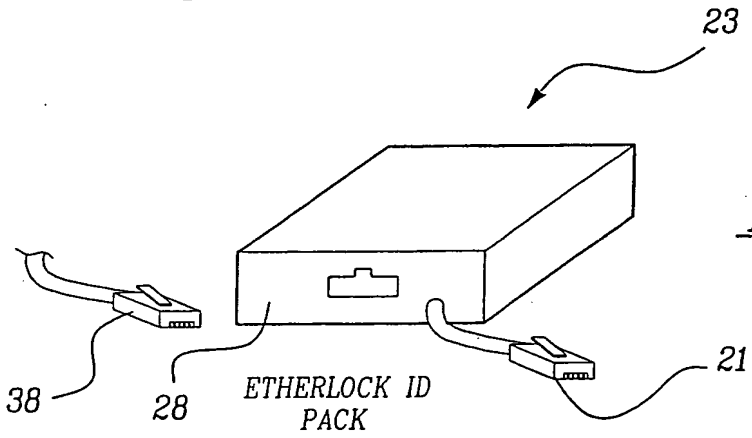
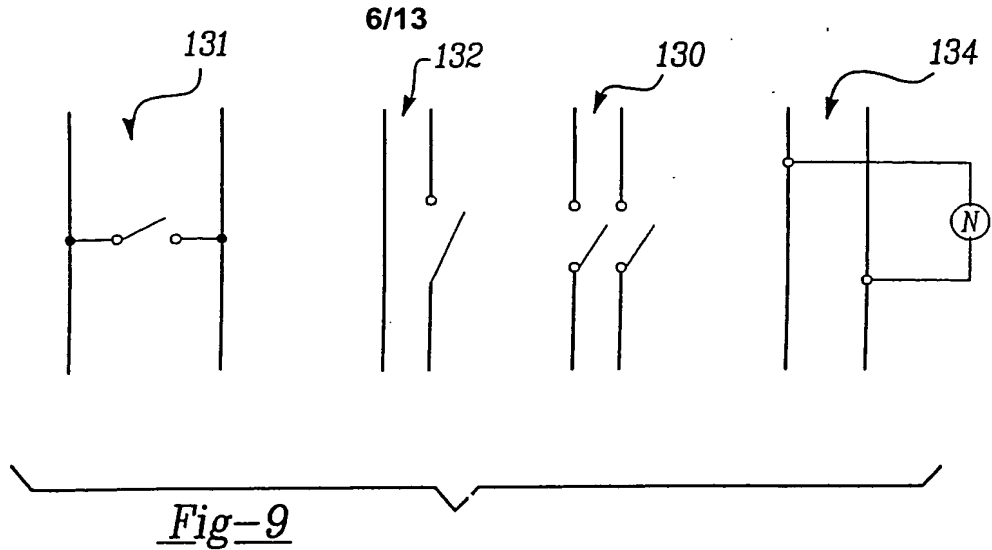


Fig-8



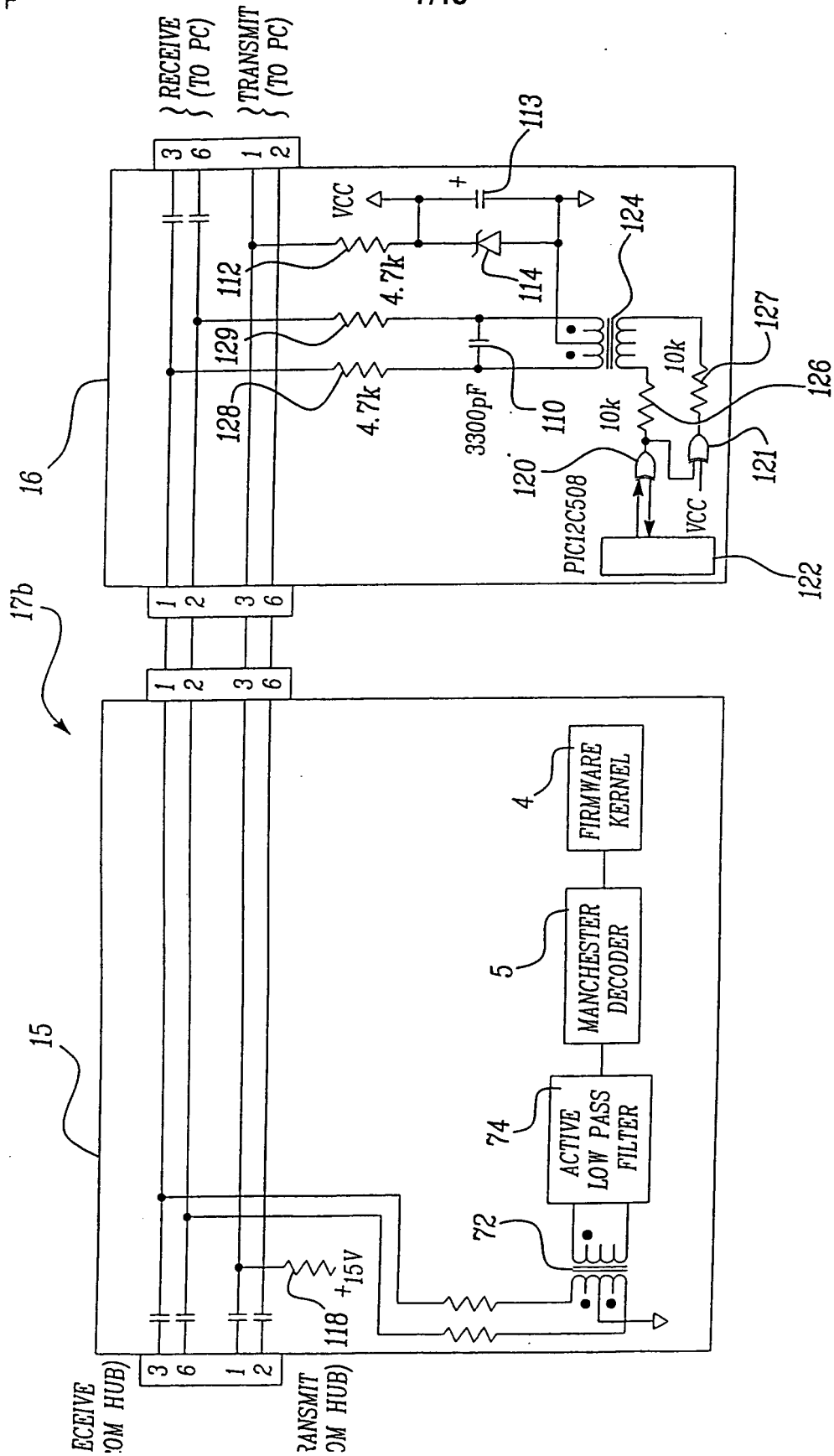
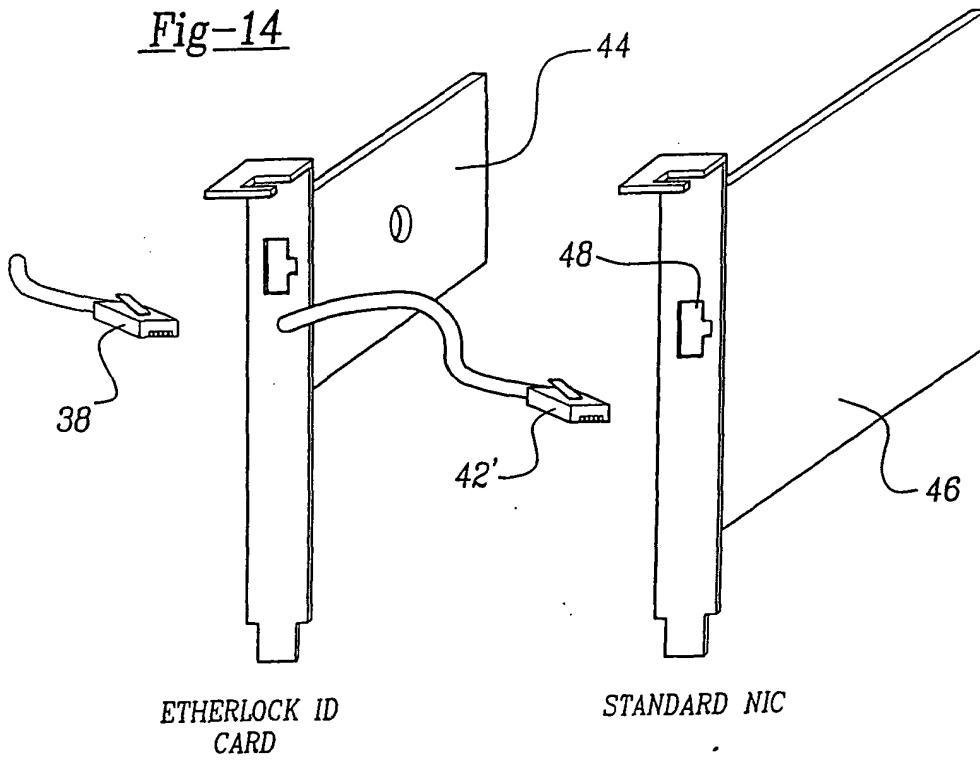
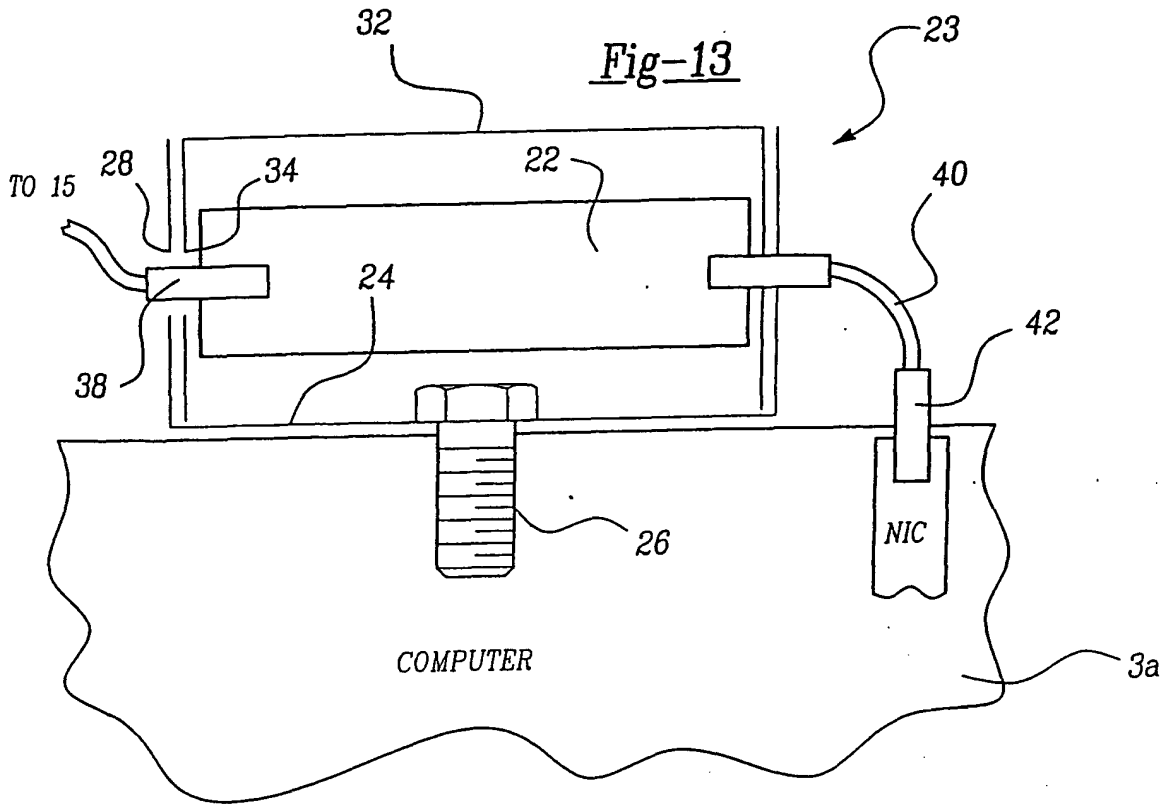
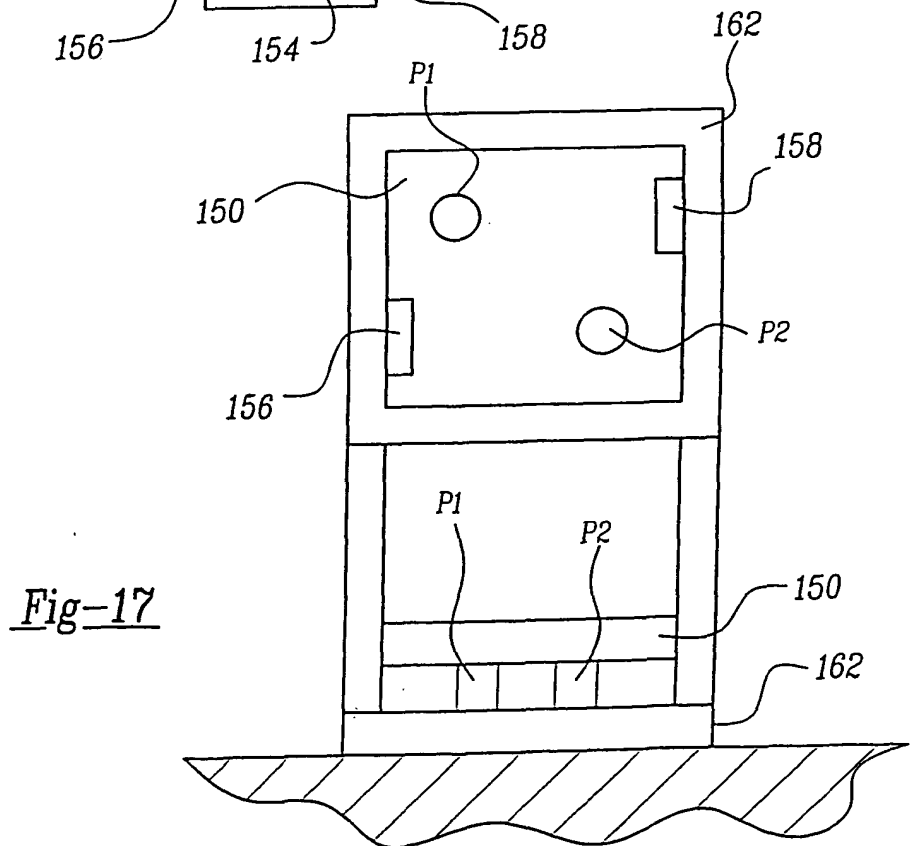
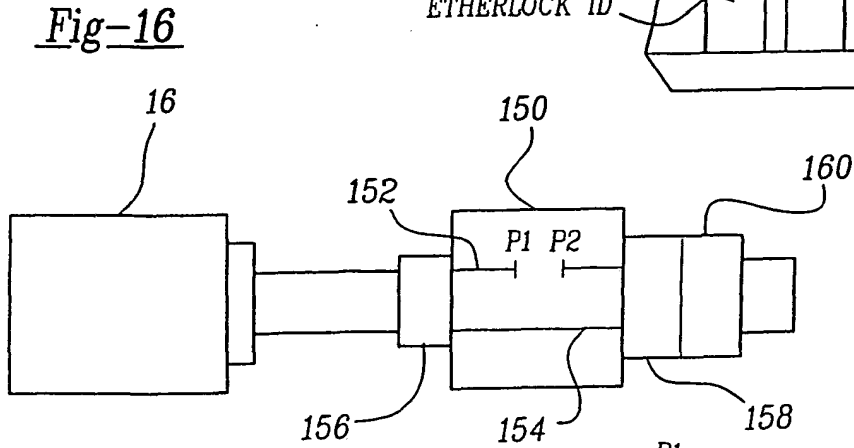
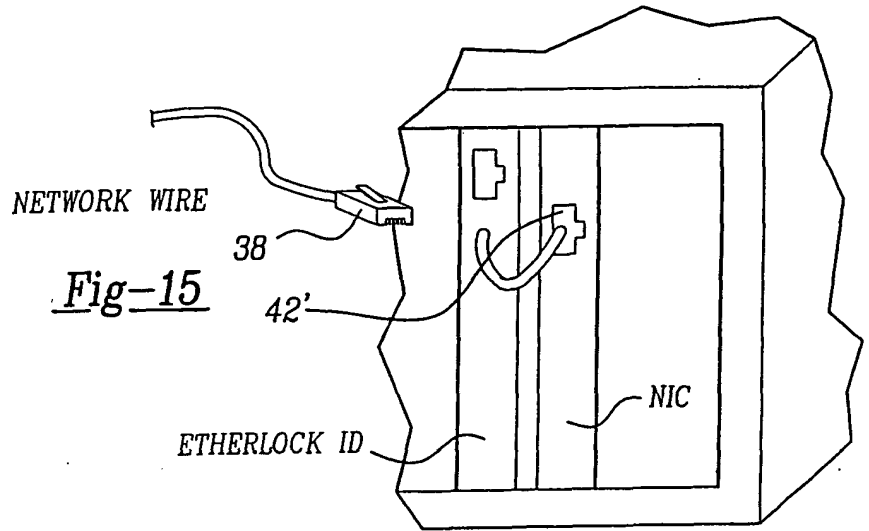


Fig-10





9/13



10/13

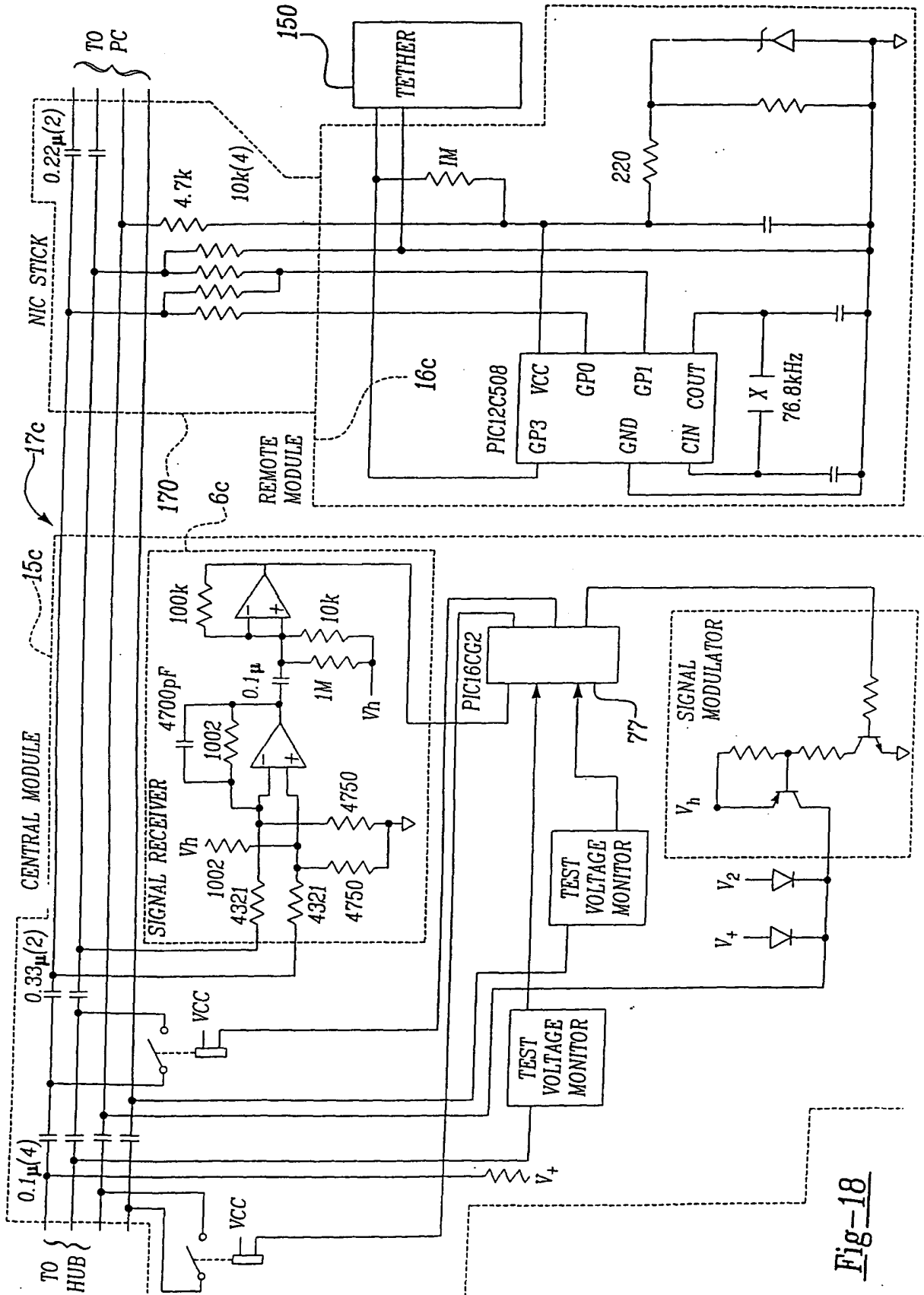
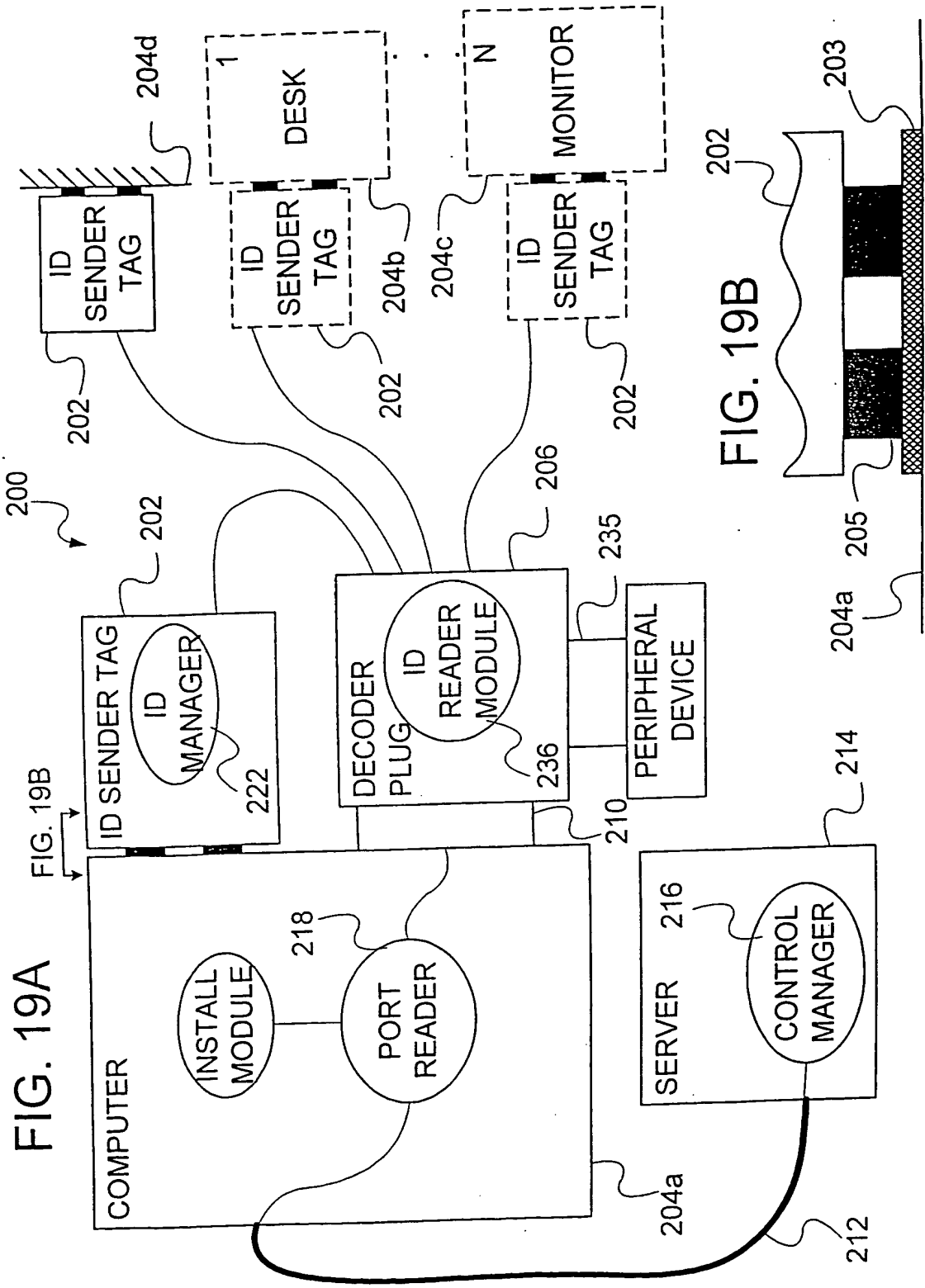


Fig-18



12/13

Fig. 20

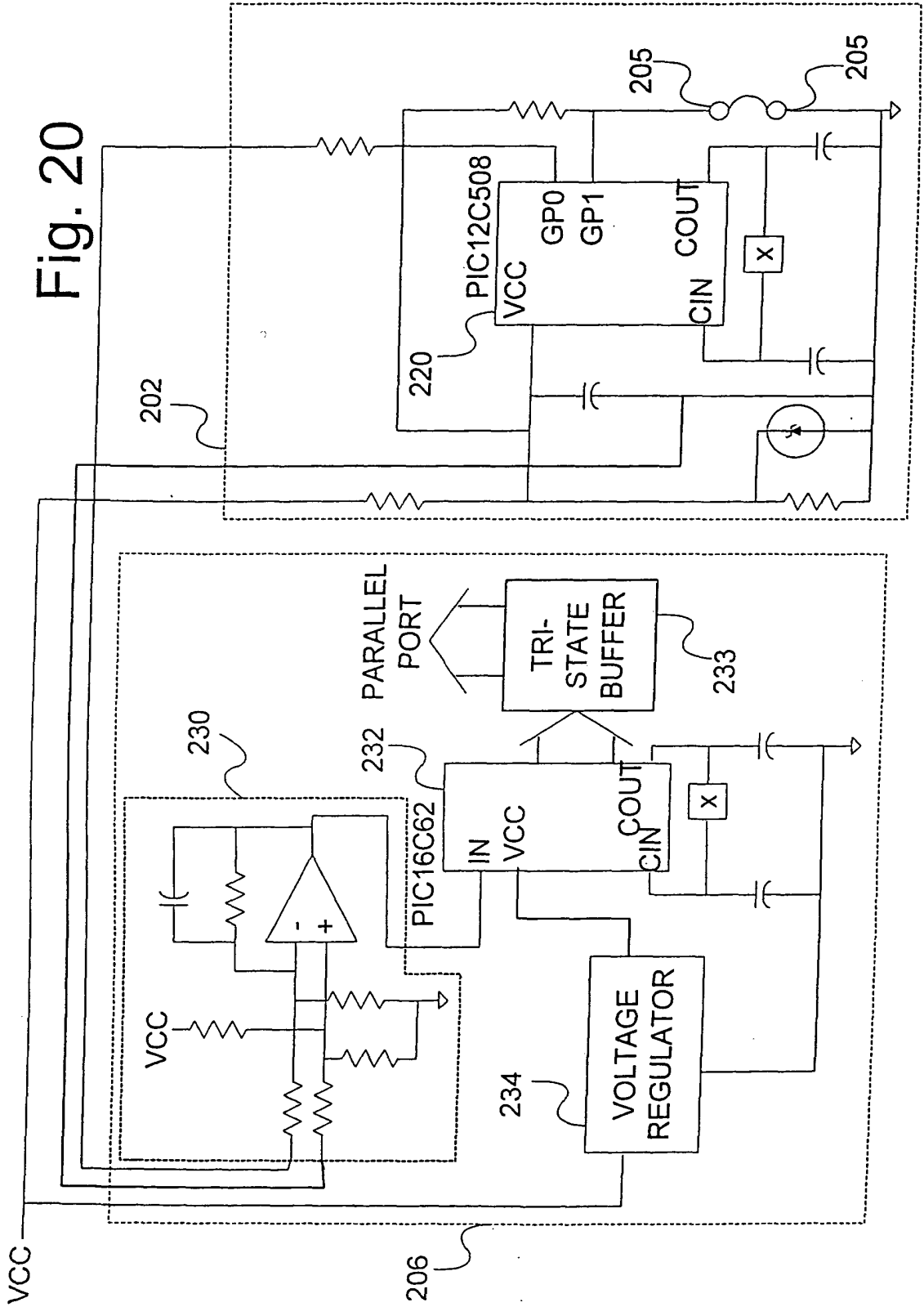


Fig. 21

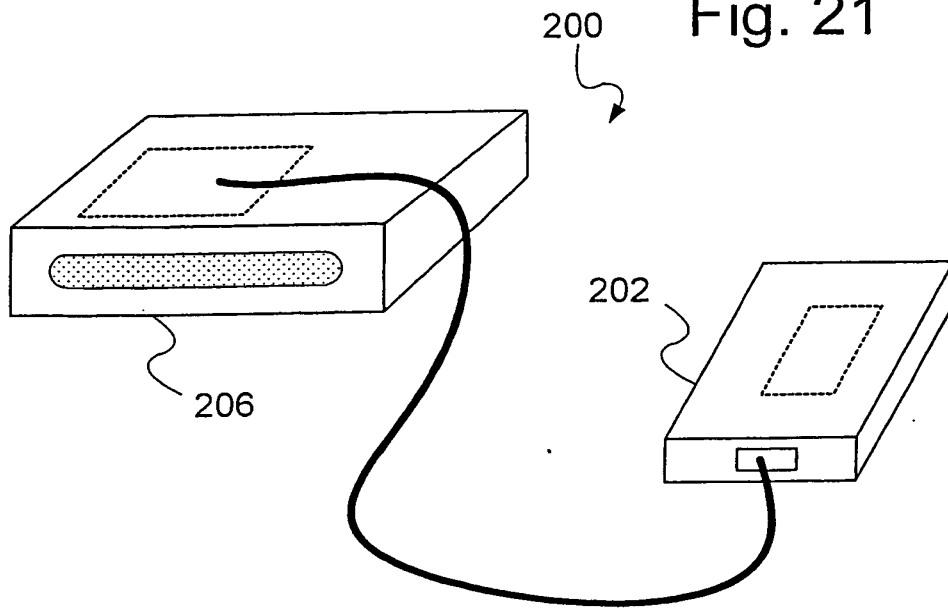


Fig. 22

